

Urschel® Model CC-D

Versatile Shredder, Slicer, & Strip Cutter



SPECIFICATIONS

Measurements and weights may vary depending on machine configuration.

Length	48.03" (1220 mm) - 5 HP
	51.74" (1314 mm) - 10 HP
Width	35.59" (904 mm)
Height	29.92" (760 mm) - 5 HP
	31.36" (797 mm) - 10 HP
Net Weight	550 lb (250 kg) - 5 HP
	680 lb (310 kg) - 10 HP
Motor	.5 or 10 HP (3.7 or 7.5 kW)

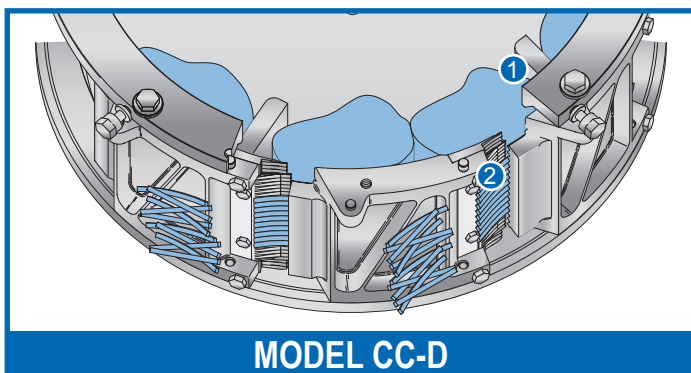
The Model CC-D is accepted by the U.S.D.A, Dairy Division.

APPLICATIONS

The Model CC-D features maximum flexibility through different types of cutting heads including Flat Slices, Strip Cuts, Full Shreds, Oval Shreds, "V" Shreds, Crescent Shreds, and Grating Options. Available in all stainless steel, the machine features continuous operation for uninterrupted production, and is designed for easy clean-up and maintenance. The Model CC-D will accept products measuring up to 3-1/2" (88.9 mm) in any dimension.

OPERATING PRINCIPLE

Product enters the rotating impeller [1] and is held against the inner surface of the cutting head assembly by centrifugal force. The cutting head assembly consists of eight individual stationary cutting stations. Slices or shreds are produced as product passes each knife [2] in a smooth and uninterrupted manner. Length is controlled by input product size.



MODEL CC-D

TYPES OF CUTS

FULL SHREDS & REDUCED V SHREDS
Full Shred: Diamond-shaped cross section available in four thicknesses: .070, .097, .125, or *.285" (1.8, 2.5, 3.2, or *7.2 mm).
Reduced V Shred: "V"-shaped cross section

OVAL SHREDS
.250 Oval Shred: Oval-shaped cross section approximately .125" (3.2 mm) thick by .250" (6.4 mm) wide.

CRESCENT SHREDS
 Crescent-shaped cross section.

FLAT SLICES
 Slice thickness up to .500" (12.7 mm)

Not all components in the cuts listed below may be available in highly polished U.S.D.A., Dairy Division accepted stainless steel finish.

WIDE OVAL SHREDS
.480 Wide Oval Shred: .152" (3.7 mm) thick by .480" (12.2 mm) wide.

WIDE CRESCENT SHREDS
 Wide crescent-shaped cross section

FULL & REDUCED Flat-V® SHREDS
Full Flat-V Shred: Hexagonal-shaped cross section approximately .150" (3.8 mm) on all sides.
Reduced Flat-V Shred: Flattened top and bottom that form a corrugated shred.

***FLAT-V® SLICES**
 Slice thickness up to .180" (4.6 mm) with 2.1 corrugations per inch. Corrugation depth: .125" (3.2 mm); Centers: .473" (12 mm).

***Z-CUT SLICES**
 Slice thickness up to .325" (8.3 mm) with 2.1 corrugations per inch. Corrugation depth of .135" (3.4 mm); Centers: .394" (10 mm).

V SLICES
 Slice thickness up to .500" (2.5 mm)
.125" Slice: 8 complete "V"s per inch. "V" depth of .050" (1.3 mm); Centers: .125" (3.2 mm).
.212" Slice: 4.7 "V"s per inch. "V" depth of .084" (2.1 mm); Centers: .212" (5.4 mm).

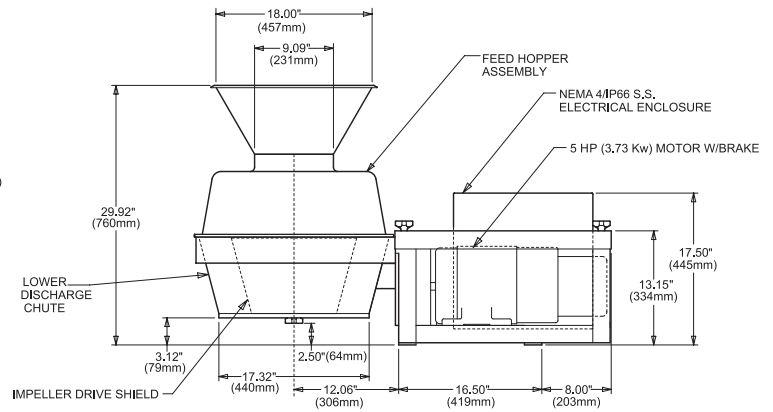
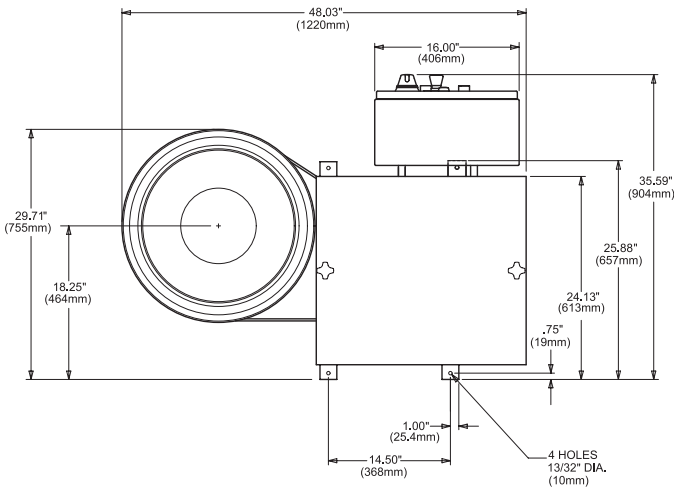
CRINKLE SLICES
 Slice thickness up to .500" (12.7 mm) with 3-1/2 waves per inch.
.175 Slice: Crinkle Depth .084" (2.1 mm), Centers .175" (4.4 mm),
.300 Slice: Crinkle Depth .080" (2.0 mm), Centers .300" (7.6 mm).
.480 Slice: Crinkle Depth .076" (1.9 mm), Centers .480" (12.2 mm).

STRIP CUTS
 Rectangular cross section.
Widths: 3/32, 1/8, 3/16, 1/4, 3/8, 1/2, 9/16, and 3/4" (2.4, 3.2, 4.8, 6.4, 9.5, 12.7, 14.3, and 19 mm)

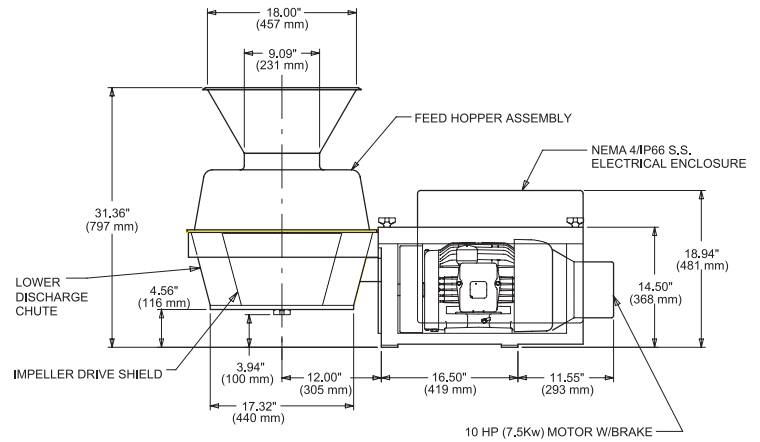
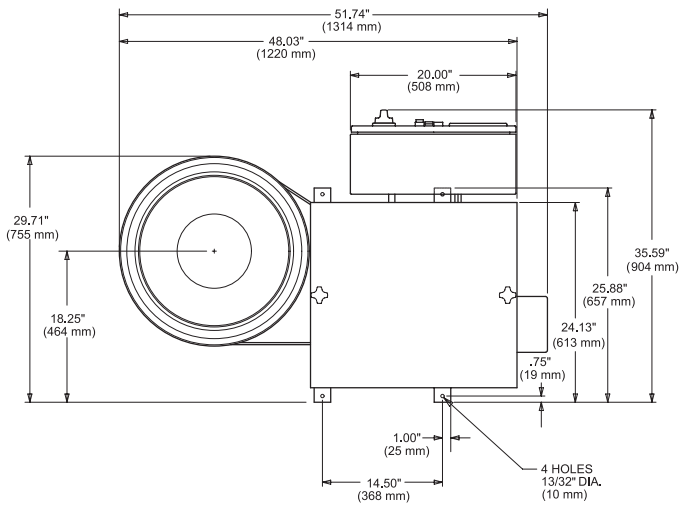
GRATING OPTIONS
 Grating heads offer cuts including powdered parmesan, coarse granules, and a variety of shreds.

*Limited availability based on customer application. Contact your local Urschel office to verify salability.

Urschel® Model CC-D Dimensional Drawings



Model CC-D equipped with a 5 HP motor



Model CC-D equipped with a 10 HP motor

You Are Invited to Test Cut Your Product

Urschel has a complete network of test facilities and experienced service and sales representatives around the world ready to work for you on any size reduction application. Contact your local Urschel representative to schedule a comprehensive, no-obligation test today at www.urschel.com.



URSHEL

The Global Leader in Food Cutting Technology
www.urschel.com | info@urschel.com