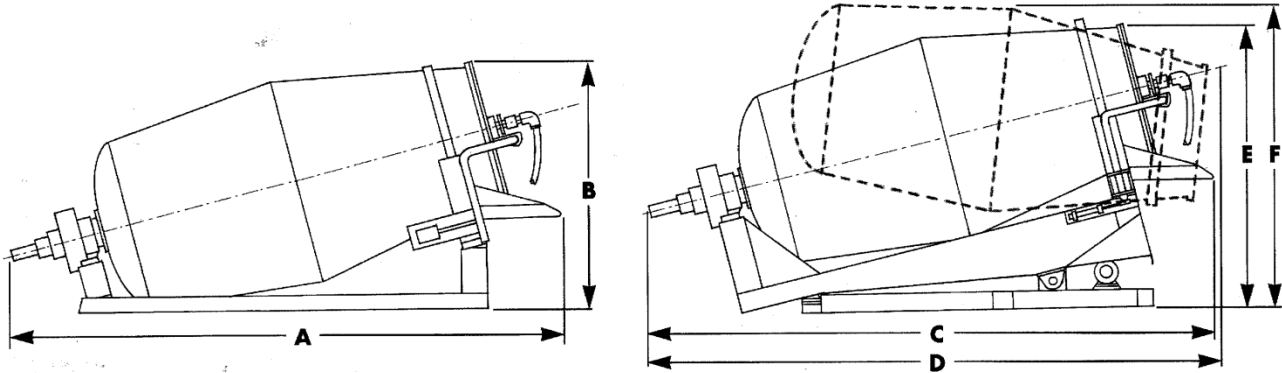


Challenge RMF Model Specifications



MODEL	MM-1	MM-2	MM-3	MM-4	MM-6	MM-7	MM-10
Batch Capacity lb. (kg)	2500 (1250)	5000 (2300)	8000 (3400)	10,000 (4100)	12,000 (5450)	15,000 (6800)	22,000 (10,000)
Drum Volume ft³ (l)	85 2400	150 4200	230 6500	270 7600	420 11,800	425 12,100	555 15,700
OA length (A) in (mm)	123 (3125)	158 (4015)	200 (5080)	217 (5510)	254 (6450)	214 (5435)	245 (6225)
OA height (B) in (mm)	69 (1755)	78 (1980)	89 (2260)	93 (2360)	111 (2820)	106 (2690)	108 (2745)
OA length (C) in (mm)	na	153 (3885)	188 (4775)	206 (5230)	254 (6450)	202 (5130)	235 (5970)
OA length (D) in (mm)	na	168 (4265)	183 (4650)	201 (5105)	249 (6325)	196 (4980)	230 (5840)
OA height (E) in (mm)	na	86 (2185)	104 (2640)	109 (2770)	119 (3025)	109 (2770)	116 (2945)
OA height (F) in (mm)	na	93 (2360)	109 (2770)	109 (2770)	124 (3150)	124 (3150)	124 (3150)
OA width (G) in (mm)	59 (1499)	59 (1499)	71 (1803)	71 (1803)	80 (2032)	95 (2413)	95 (2413)
Width w/rails (H) in (mm)	78 (1980)	82 (2085)	90 (2285)	90 (2285)	91 (2310)	120 (3050)	120 (3050)
Drum Drive, HP * (kW)	15 (11.2)	15 11.2)	20 (15)	20 (15)	25 (18.6)	25 (18.6)	30 (22.4)
Vacuum pump, HP * (kW)	5 (3.7)	5 (3.7)	5 (3.7)	5 (3.7)	15 (11.2)	15 (11.2)	15 (11.2)

* Represents components used, not a conversion factor

** All figures are approximations, subject to change.