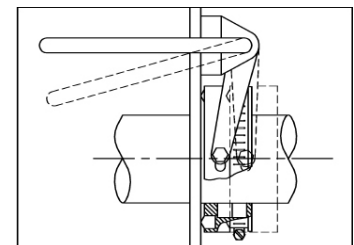




SCREW CONVEYOR

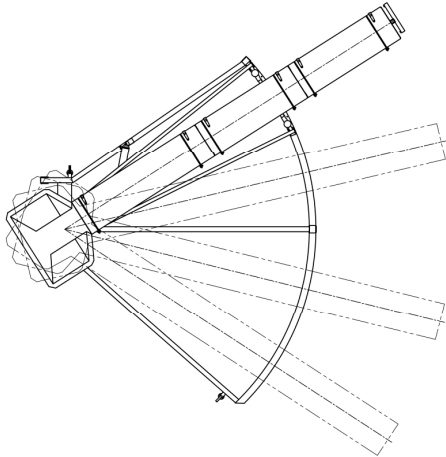
- Unique, quick-release, watertight shaft seals for full washdown sanitation.
- Standard screw auger dimensions: Ø6" (152 mm) to Ø30" (762 mm) diameter.
- Safety gratings and safety interlocks.
- Available in your choice of two, three or four position power pivots, as well as portable or stationary designs.
- Optional telescoping legs lower conveyor for cleaning.
- Optional hopper agitator to prevent product bridging.
- Custom designed hopper sizes, dump heights, and incline positions.
- USDA accepted and CE approved. Built in conformity with AMI sanitary equipment design principles.



Watertight shaft seals

SCREW CONVEYOR

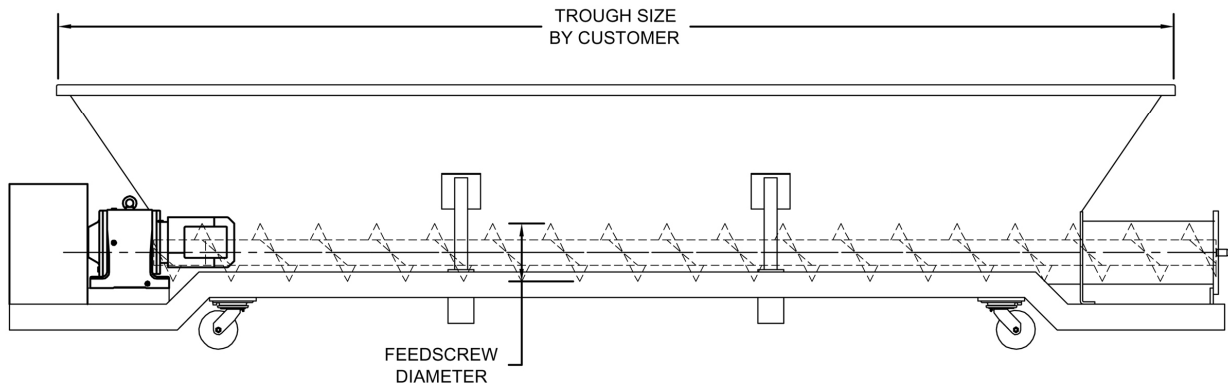
Cozzini knows that reliable material handling is a critical part of your overall process. That is why Cozzini Screw Conveyors (CSC) are custom-made to meet your demanding production requirements. Choose from a multitude of auger diameters, drive speeds, hopper capacities, pivots and discharge heights. Optional casters allow portability.



4-station pivoting screw conveyor

Sanitation and cleanability are just as important. Stainless steel construction with fine sanitary finish throughout, and smooth-ground welds in all product contact zones ensure utmost sanitation and ease of washdown and inspection. Hinged covers, quick-release seals, and washdown duty motors make the CSC series a standalone among other screw conveyor designs.

Call Cozzini for fast, dependable solutions to all your conveyor/material handling needs.



Horizontal screw conveyor

10/05 E